

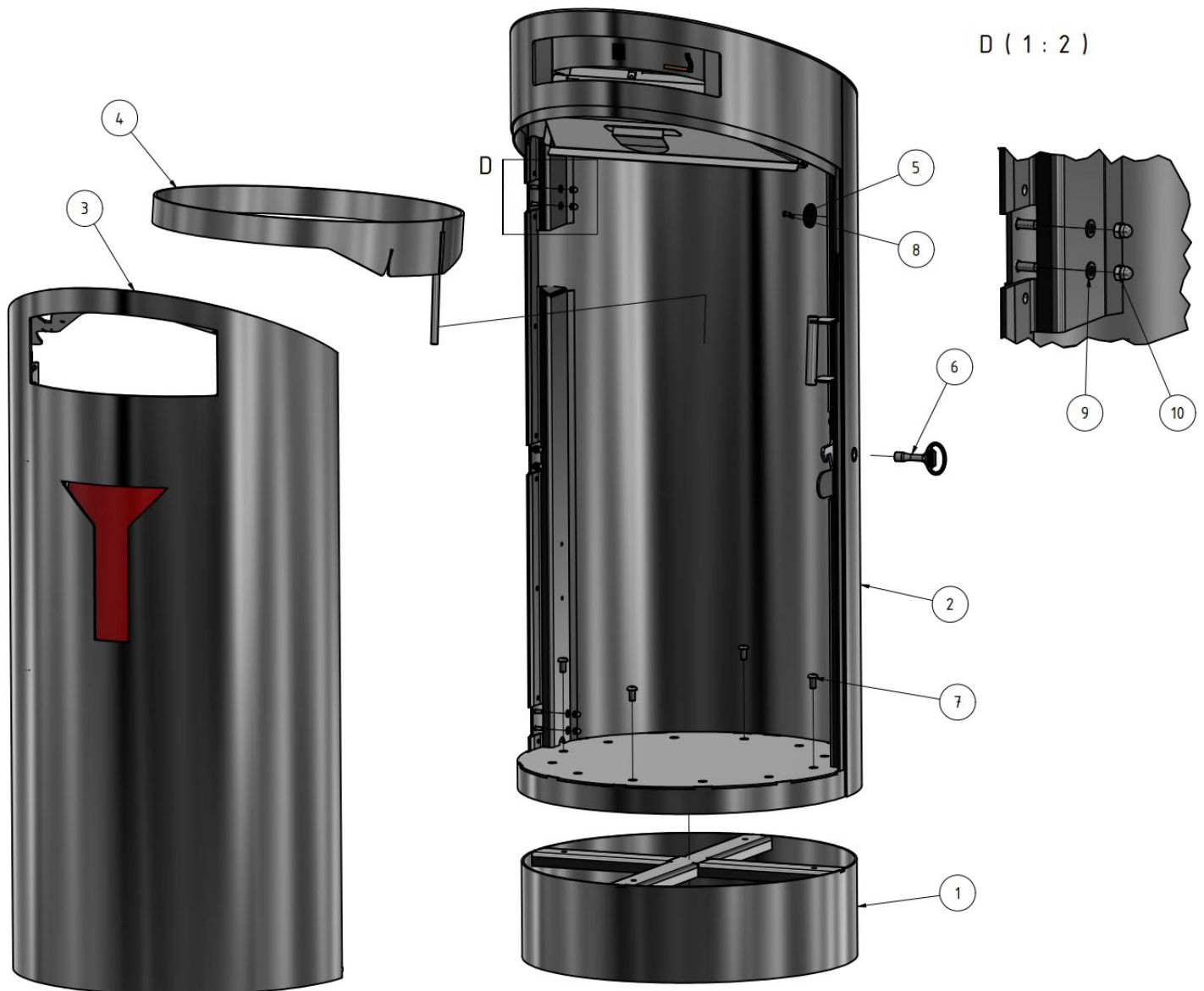
# Item Description Littershark



## Content

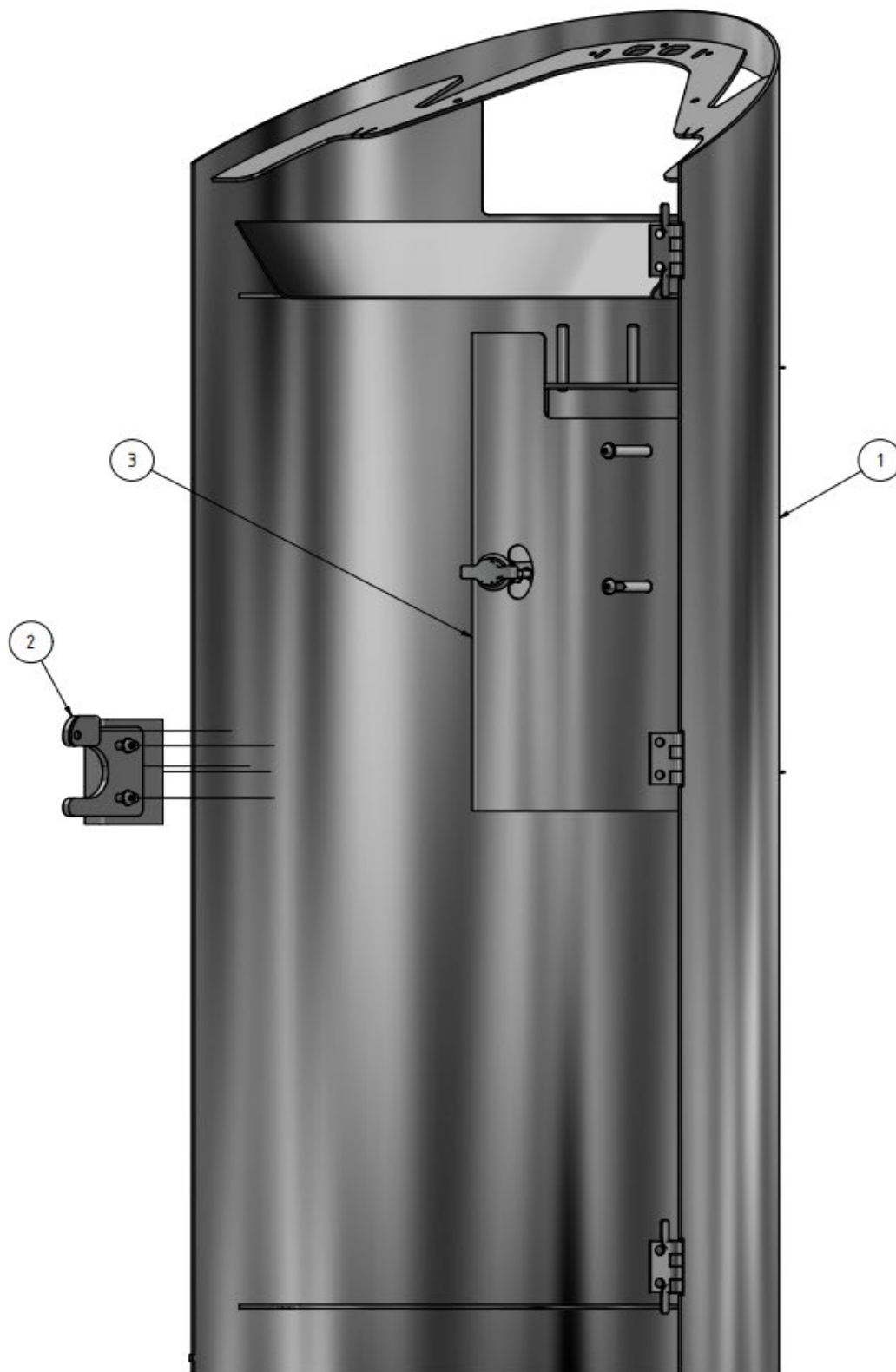
1 Littershark with Shark Dog and ashtray.....	3
1.1 Littershark with Shark Dog and ashtray Door complete .....	4
1.2 Littershark with Shark Dog and ashtray Door welded.....	6
1.3 Littershark with Shark Dog and ashtray Body complete (Applies to all versions with ashtray) .....	7
1.4 Littershark with Shark Dog Body welded (Applies to all versions with ashtray).....	8

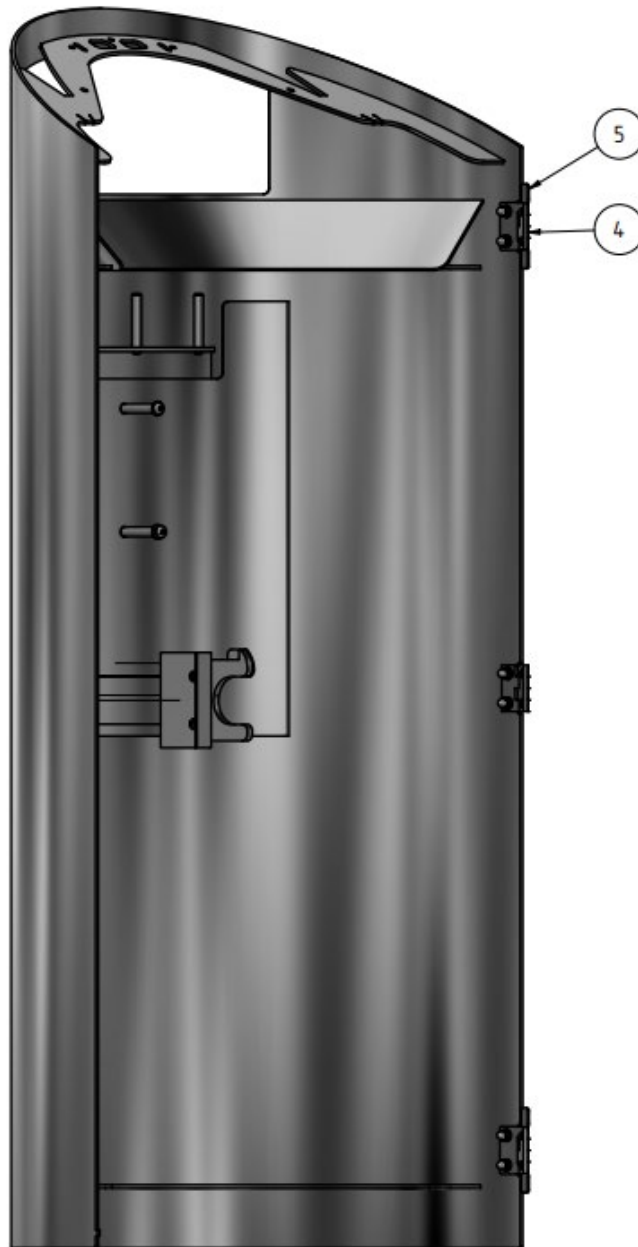
# 1 Littershark with Shark Dog and ashtray



Position	Part number	Naming
1	202490	Mounting Base
2	201775	Body complete
3	202329	Body complete HaiDog
4	201772	Bag holder for Littershark
5	202532	NFC On-Metal Tag
6	201470	Spare triangular key 3-Kant 8mm
7	ISO 7380-1 – M8x16	Oval-head screws I-6kt M8x16 – A2
8	ISO 10642 – M4x10	Countersunk screws I-6kt M8x16 – A2
9	ISO 7089 – 5	Slices – 5 /5.3/10/1 – A2
10	DIN 1587 – M5	Hexagon cap nuts high shape M5 – A2

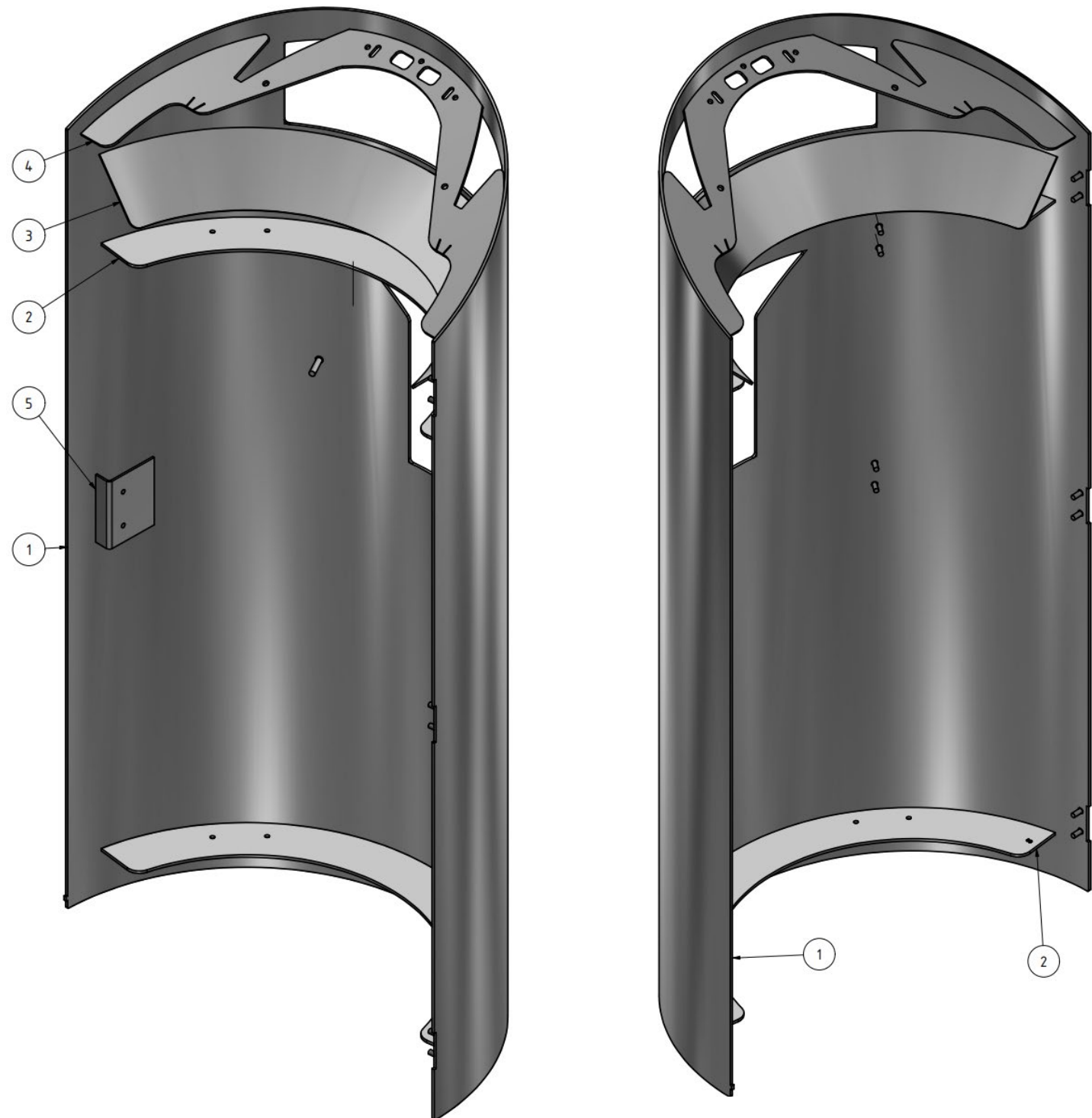
## 1.1 Littershark with Shark Dog and ashtray Door complete





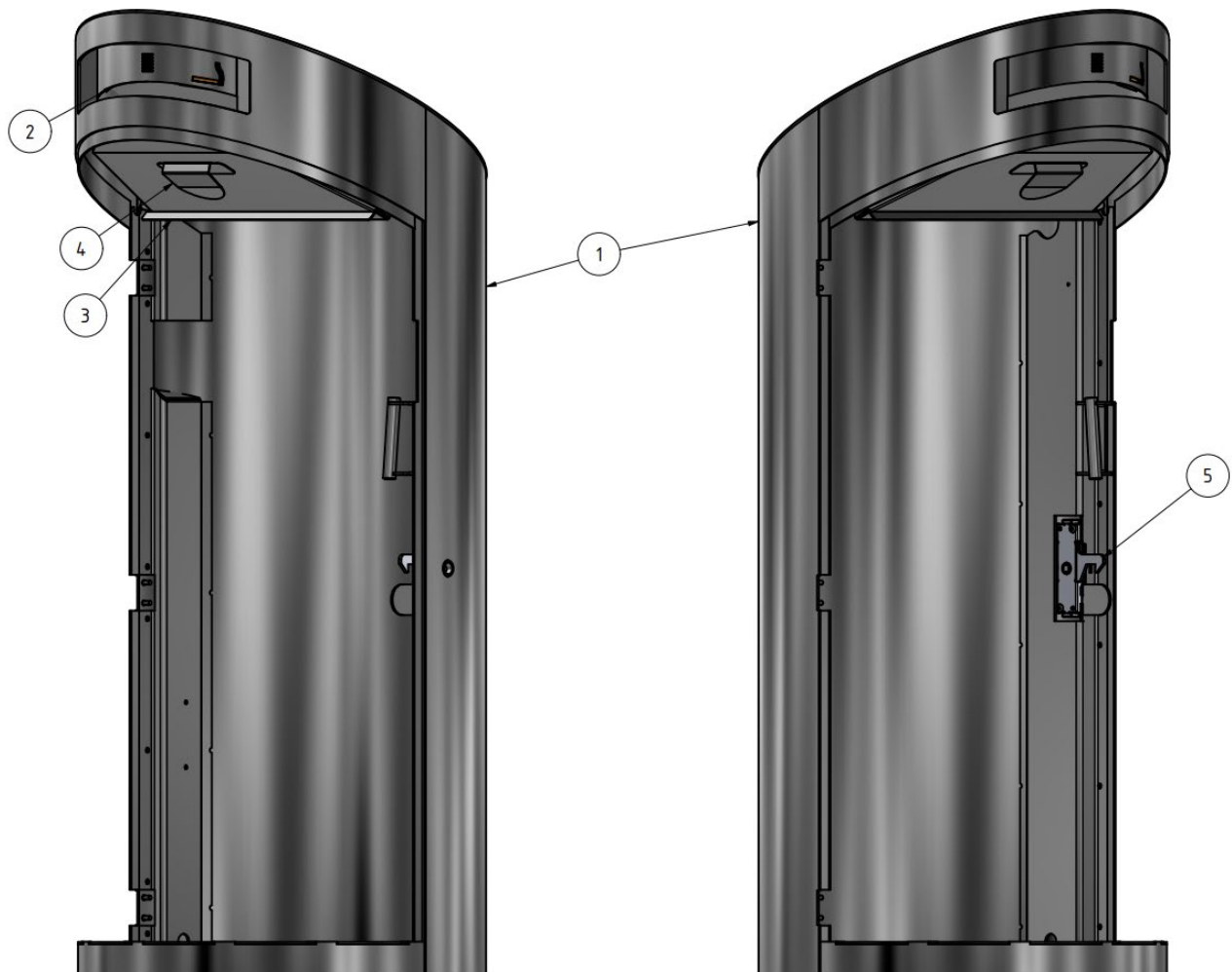
Position	Part number	Naming
1	202330	Door welded
2	203349	Counterpart welded
3	202333	HaiDog- Mechanics
4	201203	Screw-on hinge to littershark
5	101546	Stop block

## 1.2 Littershark with Shark Dog and ashtray Door welded



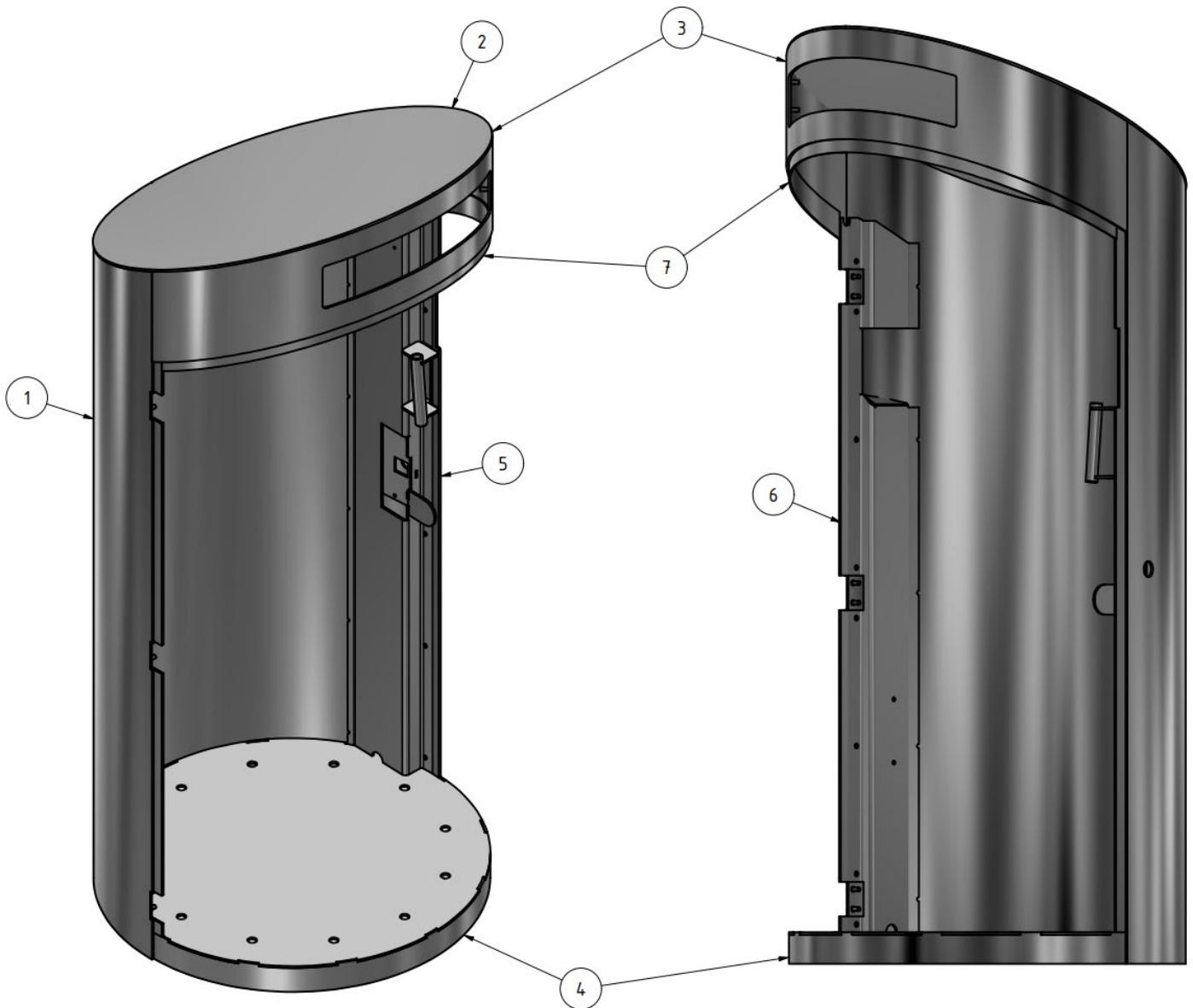
Position	Part number	Naming
1	202331	Door
2	201768	Amplification
3	201769	Deflector plate
4	201767	Additional reinforcement
5	101563	Mounting

**1.3 Littershark with Shark Dog and ashtray Body complete (Applies to all versions with ashtray)**



Position	Part number	Naming
1	201776	Body welded
2	201777	Ashtray screen for littershark
3	102431	Holder Ashtray Pan
4	102430	Ashtray Pan large
5	201217	Hack tongue lock right

**1.4 Littershark with ashtray Body complete (Applies to all versions with ashtray)**



Position	Part number	Naming
1	201784	Back wall
2	201792	Cover
3	201780	Front top
4	201782	Bottom welded
5	201783	Trim right welded
6	201786	Aperture left
7	201785	Top aperture